

Pressure sensor series DW25

Pressure sensor, Ø26mm 57lang, 18-30V DC, G1/4" A, -40-100°C, 2x PNP/NPN NC/NO, 0/4-20mA, IO-Link, M12 plug connector 4-pin, IP67, V4A



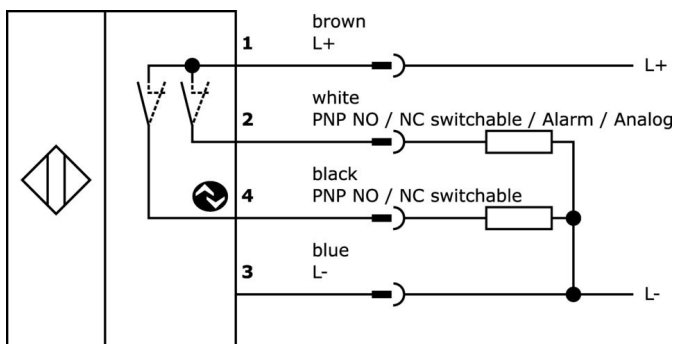
The DW25 series pressure sensors (G1/4" process connection) have two outputs, a pure switching output and an output that can be flexibly parameterized via IO-Link as a switching output, analogue output (0...20mA, 4...20mA) or alarm output. The flexibly adjustable sensors are therefore suitable for all conceivable applications with gaseous and liquid media. The special features include a wide media temperature range from -40 °C to +100 °C, simple switchover normally open/normally closed, setting of switch and release position, hysteresis settings, window function, definition of a turn-off delay, setting of damping and an integrated peak value memory.

Advantages

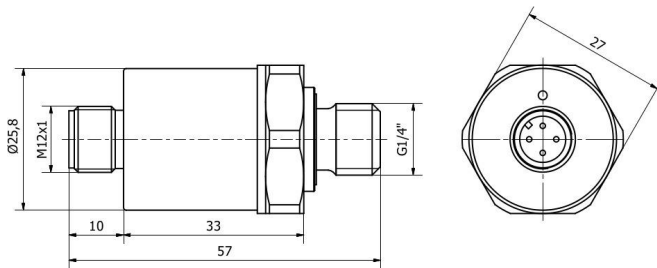
- Highly flexible parameterization via IO-Link
- variable output functions: 2 switching outputs or 1 switching output and 1 analog output (0...20mA, 4...20mA)
- Suitable e.g. as a 2-point controller, limiter and monitor in level monitoring systems
- Media temperature range (-40 °C...+100 °C)

Article No.	DW25310N	DW25310P
Operating voltage	18-30VDC	
No-load current	20 mA	
Measuring range pressure	-0,1 - 0,1 bar	0 - 0,25 bar
Max. operating pressure	5 bar	0.75 bar
Measurement method	Relative	
Bursting pressure	5 bar	2.5 bar
Type of process connection	G1/4 inch A	
dimensions	Ø26mm, 57mm long	
Electrical connection	M12 4-pin plug connector	
ardTEEL_Schutzfunktionen	Short circuit protection Reverse polarity protection	
Setting procedure	Parameterization via IO-Link	
Number of switching outputs	2	
Type of switching output	Push-pull	
Type of switching function	Normally closed contact/normally open contact	
Type of analog output	0 - 20mA 4 - 20mA	
Supported communication interface	IO-Link	
Relative hysteresis	1 %	
Relative measurement accuracy	0.2 %	0.5 %
Relative linearity deviation	0.01 %	0.4 %
Long-term drift per year	0.15 %	
Temperature drift over entire measuring range	0.015 %	0.05 %
Housing material	Stainless steel 1.4404	
Material of the process connection	Stainless steel 1.4435	
Material of the measuring cell	Ceramic	
Seal material at process connection	Plastic (FPM)	
Medium temperature	-40 - 100 °C	
Ambient temperature	-40 - 100 °C	
Degree of protection (IP)	IP67	
Suitable for	Fluid group 2	

Connection



Maßbild_DW25



Extract accessories program

VK505321



Connection cable, 5m, M12 socket 4-pin angular, free cable end, 4x0.34mm², PUR (polyurethane), Ø5.5mm, 250V, -25-90°C, IP67, shielded, suitable for trailing chain and torsion resistant, oils and cooling lubricants, welding area, silicone-free

VK505325



Connection cable, 5m, M12 socket 4-pin straight, free cable end, 4x0.34mm², PUR (polyurethane), Ø5.5mm, 250V, -25-90°C, IP67, shielded, suitable for trailing chain and torsion resistant, oils and cooling lubricants, welding area, silicone-free

VK003Y24



Cable socket, straight, screw connection, Ø4-6mm, Shielded, 4A, 60V, -40-85°C, M12 socket 4pin, IP67, zinc diecast

VY000005



IO-Link master, 41x24x67mm, IO-Link, M12, With USB interface

You can find further accessories on our homepage



Installation

Mounting / installation may only be carried out by a qualified electrician!



Disposal

WEEE number according to § 6 para. 3 ElektroG: 40951076

Safety warnings

/ Before initial operation, please make sure to follow all safety instructions that may be provided in the product information.

/ Never use these devices in applications where the safety of a person depends on their functionality.

/ Any software, drivers or IODD files that may be required to operate your device can be downloaded free of charge from our homepage: www.ipf-electronic.com